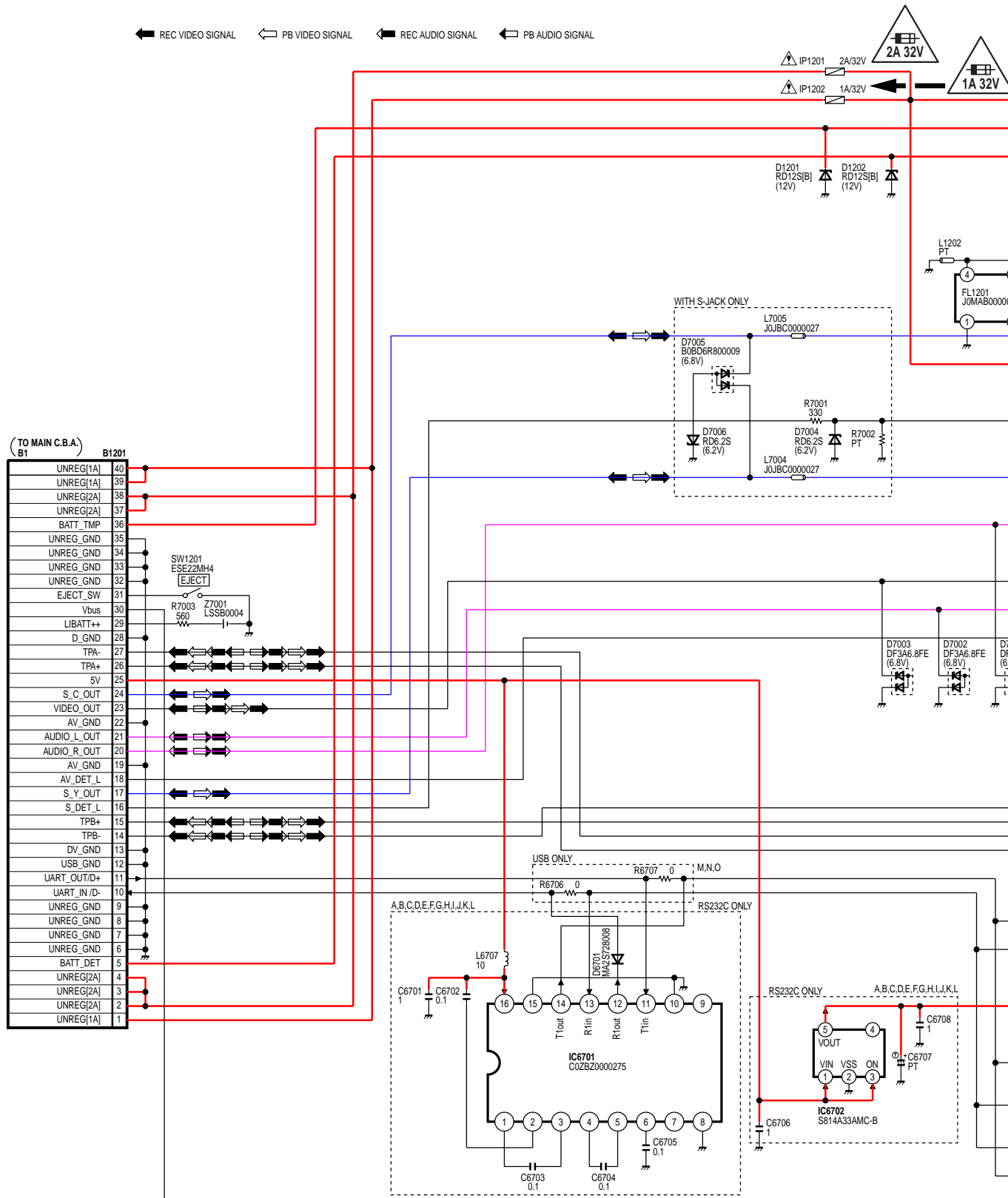


8.3. REAR SCHEMATIC DIAGRAM

REAR SCHEMATIC DIAGRAM

NOTE: For placing a purchase order of the parts, be sure to use the part number listed in the parts. Do not use the part number on this diagram.




purchase order of the parts,
the part number listed in the parts list.
part number on this diagram.

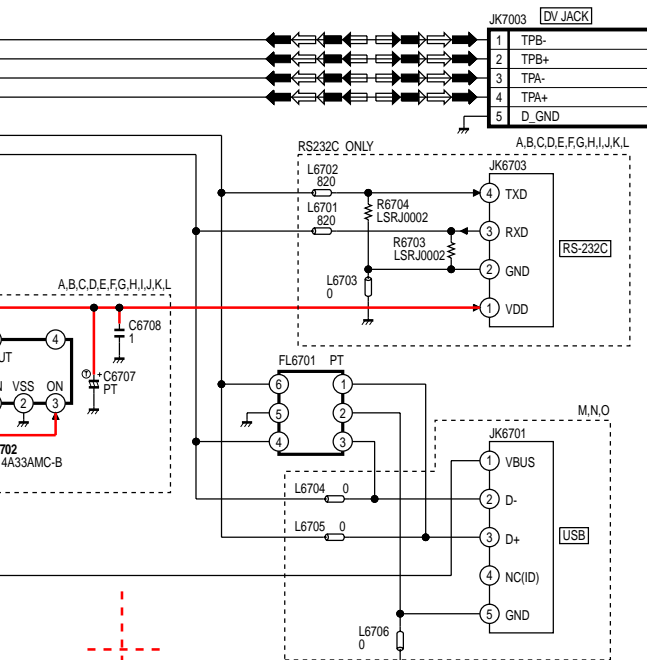
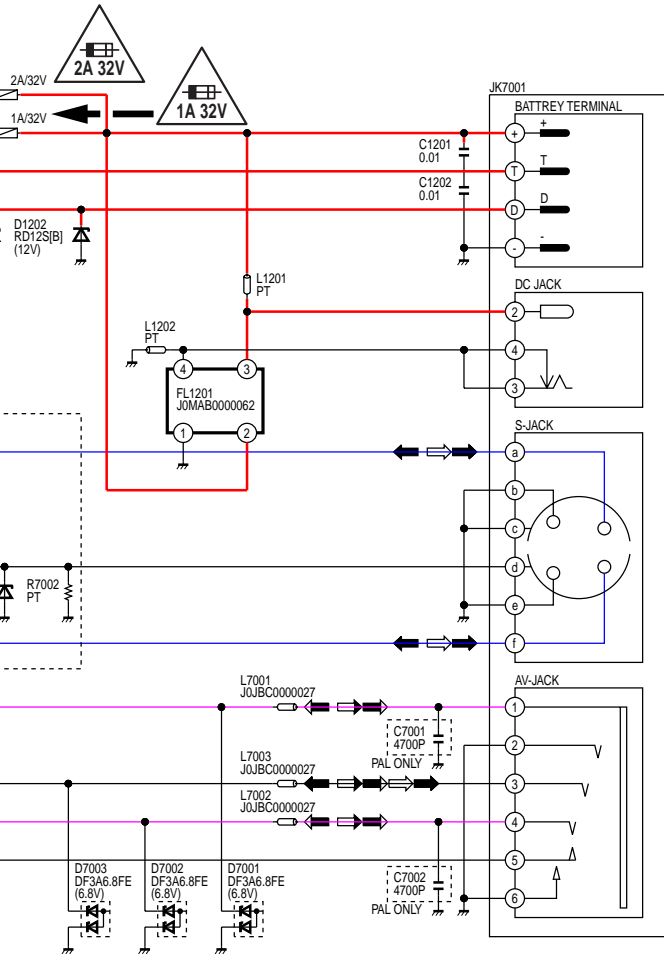
NOTE:
PARTS ENCLOSED IN DASHED LINES MARKED "PT" ARE NOT USED.

NOTE:
FOR SCHEMATIC DIAGRAM AND CIRCUIT BOARD LAYOUT NOTES,
REFER TO BEGINNING OF SCHEMATIC SECTION.

COMPARISON CHART
OF MODELS & MARKS

MODEL	MARK
NV-DS29EG	A
NV-DS20EGM	B
NV-DS29B	C
NV-DS29EGE	D
NV-DS30EG	E
NV-DS30EGM	F
NV-DS30B	G
NV-DS30EGE	H
NV-DS30EN	I
NV-DS30ENT	J
NV-DS30ENC	K
NV-DS30A	L
NV-DS50EN	M
NV-DS50ENT	N
NV-DS50A	O
Not Used	PT

IMPORTANT SAFETY NOTICE:
COMPONENTS IDENTIFIED BY THE SIGN  HAVE
SPECIAL CHARACTERISTICS IMPORTANT FOR SAFETY.
WHEN REPLACING ANY OF THESE COMPONENTS,
USE ONLY THE SPECIFIED PARTS.



LSJB8183
REAR SCHEMATIC DIAGRAM
NV-DS29EG/NV-DS29EGM/NV-DS29B/NV-DS29EGE/NV-DS30EG/
NV-DS30EGM/NV-DS30B/NV-DS30EGE/NV-DS30EN/NV-DS30ENT/
NV-DS30ENC/NV-DS30A/NV-DS50EN/NV-DS50ENT/NV-DS50A

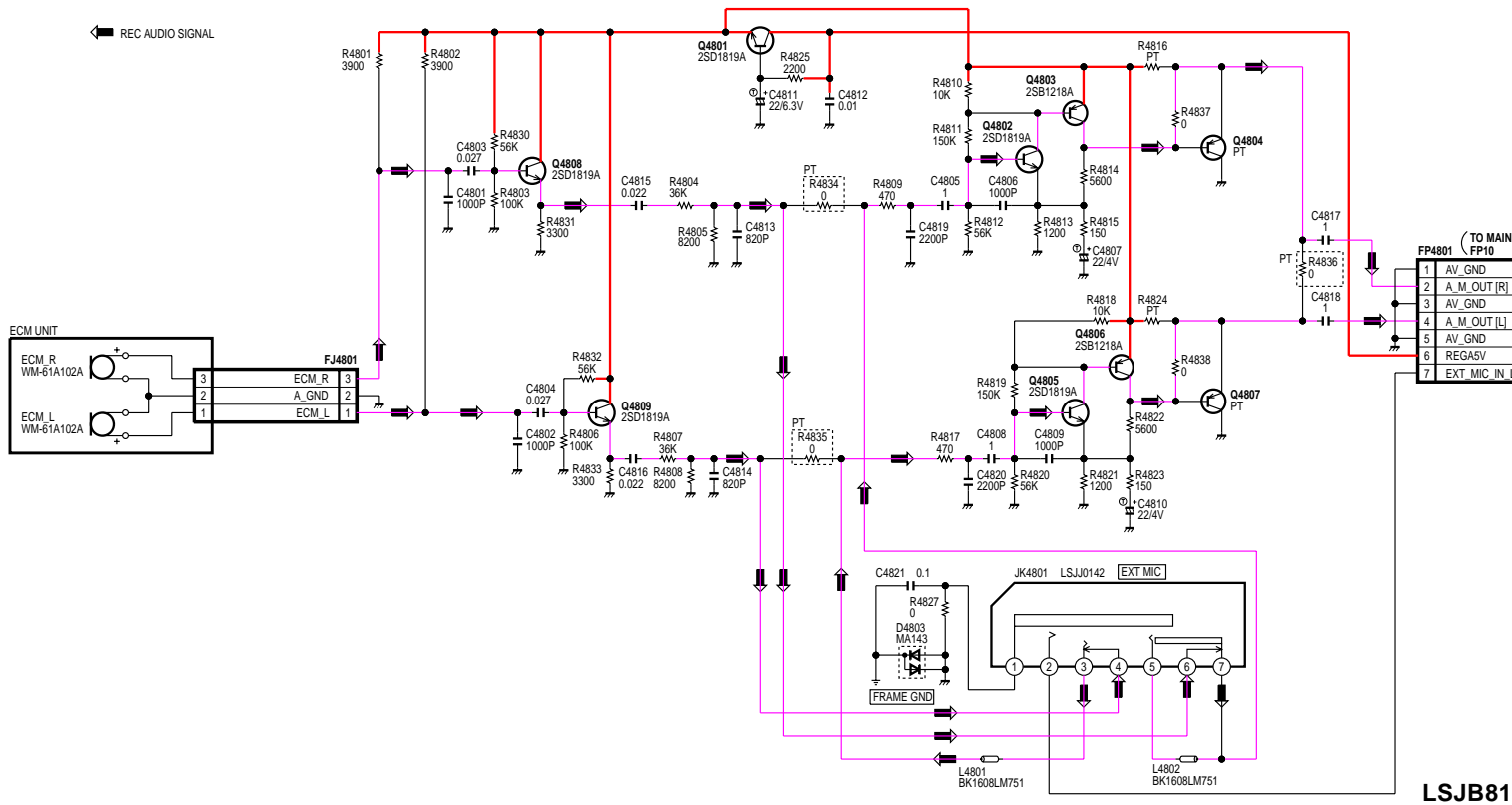
8.4. MICROPHONE/FRONT/EVF BACKLIGHT SCHEMATIC DIAGRAMS

NOTE: For placing a purchase order of the parts, be sure to use the part number listed in the parts. Do not use the part number on this diagram.

MICROPHONE SCHEMATIC DIAGRAM

“FOR REFERENCE ONLY”

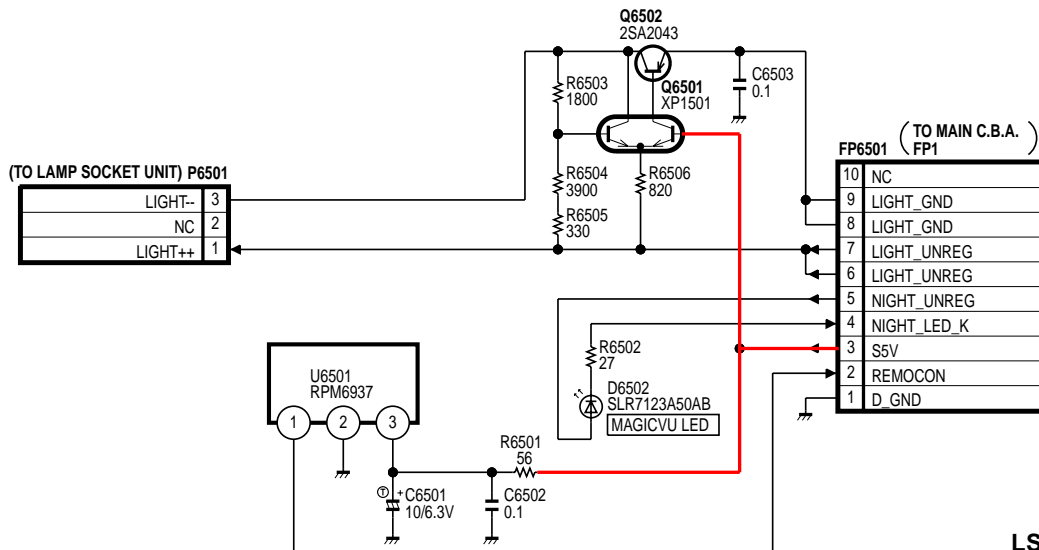
NOTE: MICROPHONE C.B.A. IS NOT SERVICEABLE AND IS SUPPLIED AS A UNIT ONLY FOR REPLACEMENT.



FRONT SCHEMATIC DIAGRAM

“FOR REFERENCE ONLY”

NOTE: FRONT C.B.A. IS NOT SERVICEABLE AND IS SUPPLIED AS A UNIT ONLY FOR REPLACEMENT.



LSJB8193

S

purchase order of the parts,
the part number listed in the parts list.
part number on this diagram.

NOTE:
PARTS ENCLOSED IN DASHED LINES MARKED "PT" ARE NOT USED.

NOTE:
FOR SCHEMATIC DIAGRAM AND CIRCUIT BOARD LAYOUT NOTES,
REFER TO BEGINNING OF SCHEMATIC SECTION.

EVF BACKLIGHT SCHEMATIC DIAGRAM

"FOR REFERENCE ONLY"

NOTE:
EVF BACK LIGHT C.B.A. IS NOT SERVICEABLE AND IS
SUPPLIED AS A UNIT ONLY FOR REPLACEMENT.

The schematic diagram illustrates the EVF backlight circuit. It shows the connection between the LSJB8168 board (FP8) and the EVF LCD Panel Unit (FP952). The EVF LCD Panel Unit (LSJB8169) is connected to the EVF Backlight C.B.A. (LSJB8168) via a series of pins. The EVF Backlight C.B.A. includes a backlight LED (D951, B3AFB0000024) and a driver transistor (Q951, 2SD2216). The circuit is powered by BL_5V and BL_GND from the main C.B.A. (FP8). The EVF LCD Panel Unit provides power to the backlight through pins TV, THL, TCL, VIDL, RENO, RENE, HCK, HPL, VREF, VSS, VDD, VEE, VCOM, HLTOR, HODL, VPL, VCK, VIDH, PDR, and THH. The EVF LCD Panel Unit also provides ground connections through pins BL_GND, AV_GND, and EXT_MIC_IN_L. The EVF Backlight C.B.A. includes components such as resistors R951, R952, R953, R954, R955, R956, capacitors C951, C952, C953, C954, C955, and a transistor Q951. The EVF LCD Panel Unit is labeled LSJB8169.

(TO MAIN C.B.A.) FP8		FP951		FP952	
1	AV_GND	1	BL_GND	20	TV
2	A_M_OUT [R]	2	BL_GND	19	THL
3	AV_GND	3	BL_5V	18	TCL
4	A_M_OUT [L]	4	VIDL	17	VIDL
5	AV_GND	5	RENO	16	RENO
6	REGA5V	6	RENE	15	RENE
7	EXT_MIC_IN_L	7	HCK	14	HCK
		8	HPL	13	HPL
		9	VREF	12	VREF
		10	VSS	11	VSS
		11	VDD	10	VDD
		12	VEE	9	VEE
		13	VCOM	8	VCOM
		14	HLTOR	7	HLTOR
		15	HODL	6	HODL
		16	VPL	5	VPL
		17	VCK	4	VCK
		18	VIDH	3	VIDH
		19	PDR	2	PDR
				1	THH

MICROPHONE/FRONT/EVF BACKLIGHT SCHEMATIC DIAGRAMS
 NV-DS29EG/NV-DS29EGM/NV-DS29B/NV-DS29EGE/NV-DS30EG/NV-DS30EGM/NV-DS30B/NV-DS30EGE/
 NV-DS30EN/NV-DS30ENT/NV-DS30ENC/NV-DS30A/NV-DS50EN/NV-DS50ENT/NV-DS50A

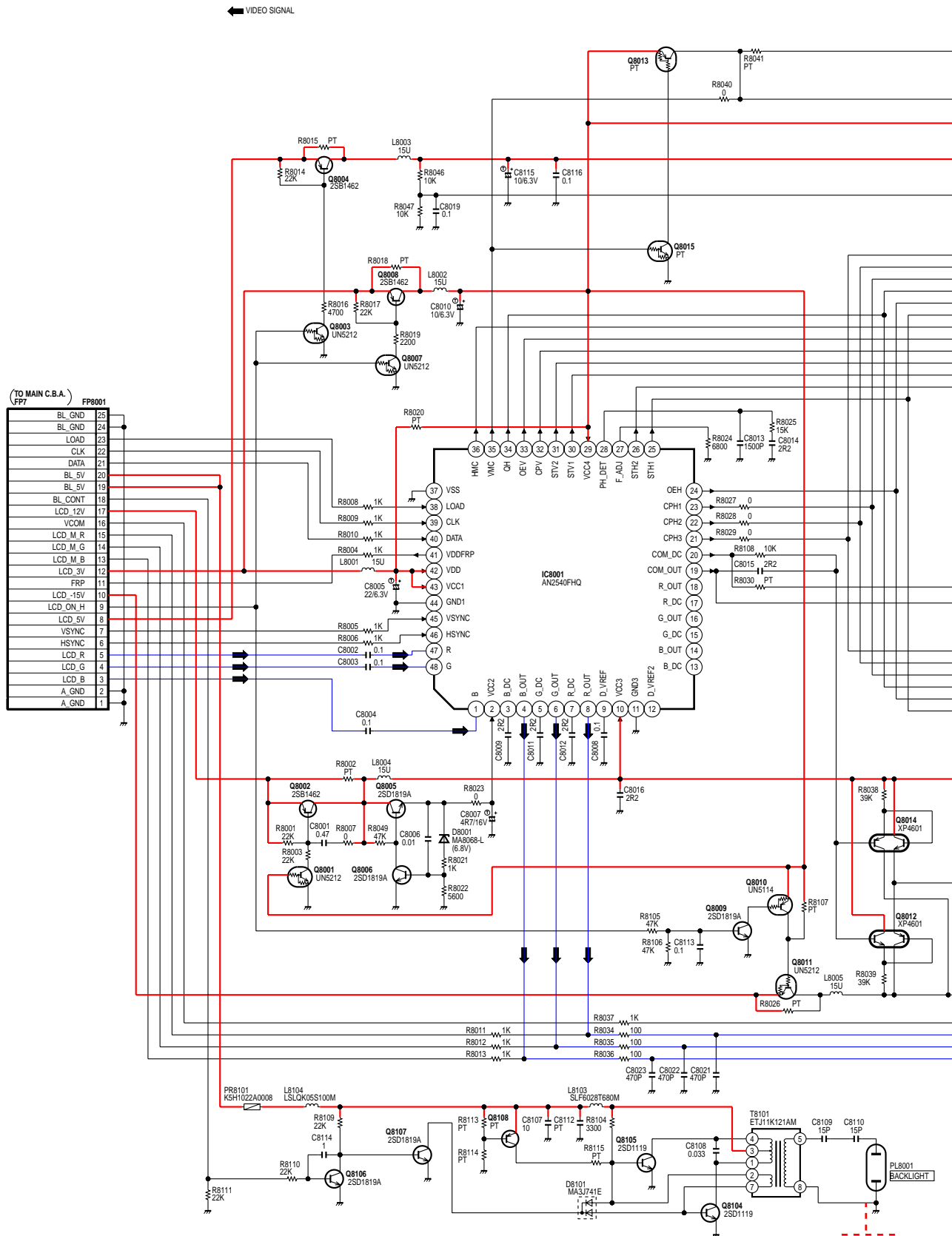
164

8.5. LCD SCHEMATIC DIAGRAM



LCD SCHEMATIC DIAGRAM

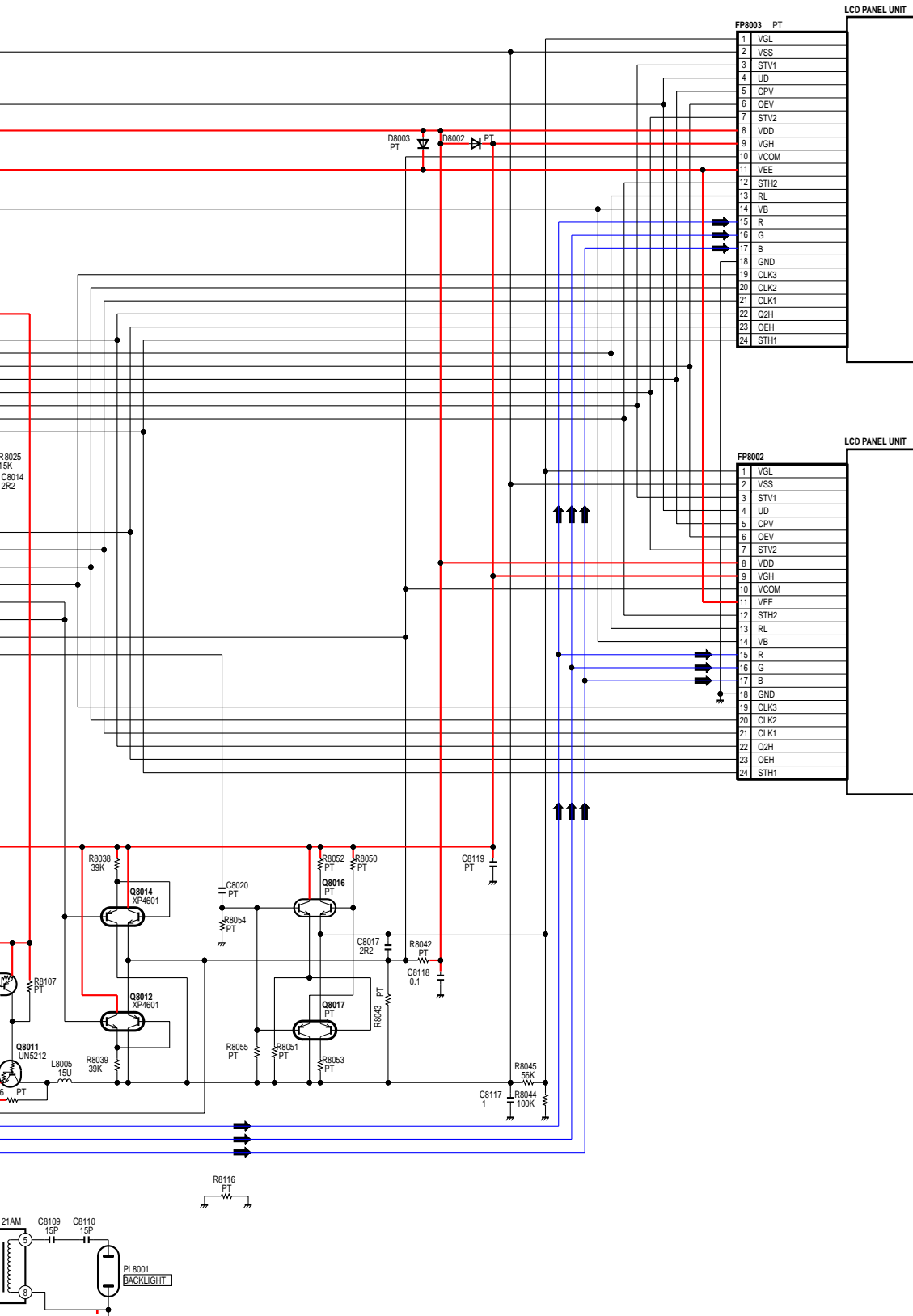
NOTE: For placing a purchase order of the parts, be sure to use the part number listed in the parts. Do not use the part number on this diagram.



purchase order of the parts,
the part number listed in the parts list.
part number on this diagram.

NOTE:
PARTS ENCLOSED IN DASHED LINES MARKED "PT" ARE NOT USED.

NOTE:
FOR SCHEMATIC DIAGRAM AND CIRCUIT BOARD LAYOUT NOTES,
REFER TO BEGINNING OF SCHEMATIC SECTION.

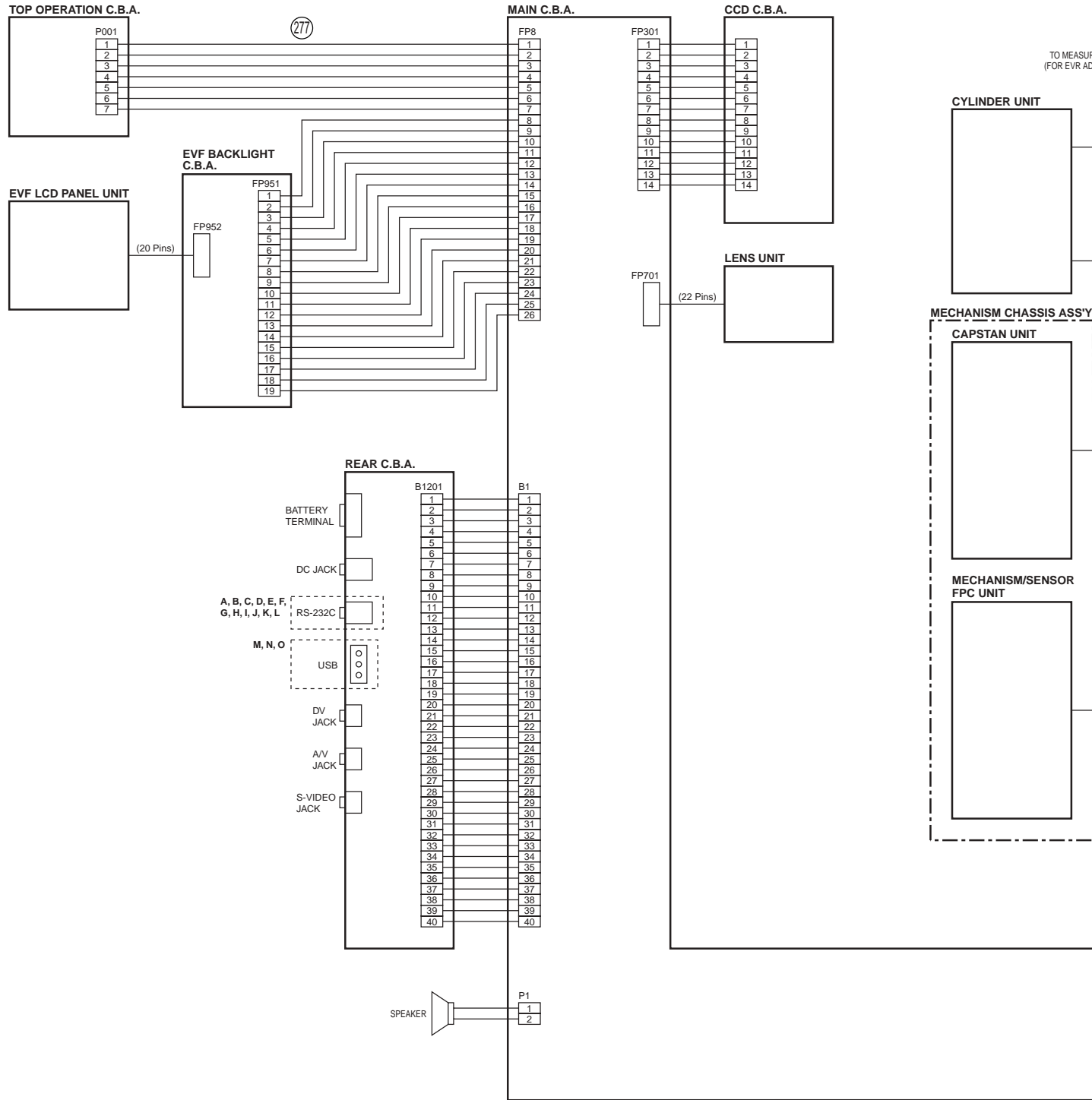


[LINK TO VOLTAGE CHART](#)
LSJB8188
LCD SCHEMATIC DIAGRAM
NV-DS29EG/NV-DS29EGM/NV-DS29B/NV-DS29EGE/NV-DS30EG/NV-DS30EGM/NV-DS30B/NV-DS30EGE/
NV-DS30EN/NV-DS30ENT/NV-DS30ENC/NV-DS30A/NV-DS50EN/NV-DS50ENT/NV-DS50A

8.6. INTERCONNECTION SCHEMATIC DIAGRAM



INTERCONNECTION SCHEMATIC DIAGRAM



TO MEASUR
(FOR EVR AD.



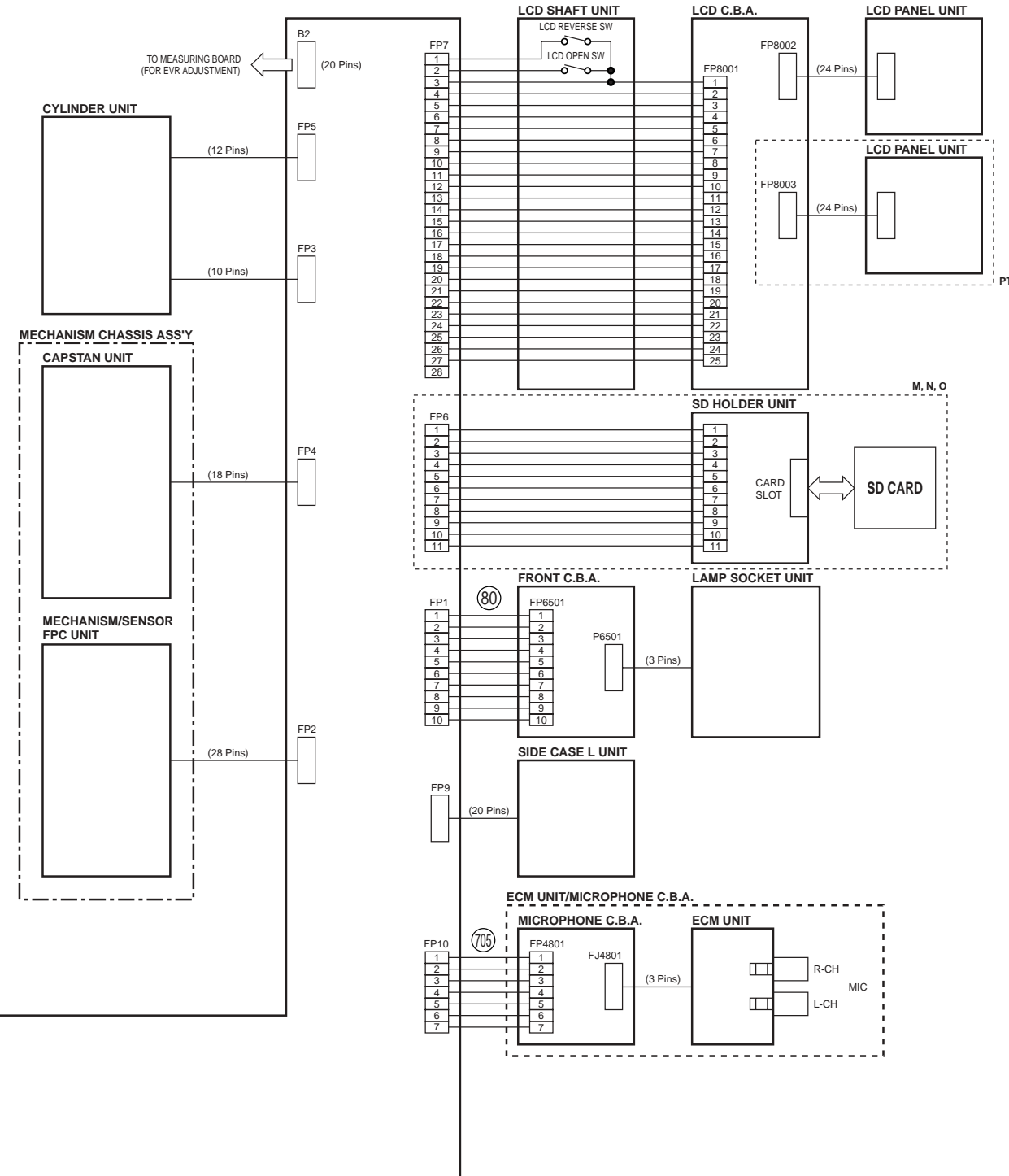


NOTE:
PARTS ENCLOSED IN DASHED LINES MARKED "PT" ARE NOT USED.

NOTE:
FOR SCHEMATIC DIAGRAM AND CIRCUIT BOARD LAYOUT NOTES,
REFER TO BEGINNING OF SCHEMATIC SECTION.

COMPARISON CHART
OF MODELS & MARKS

MODEL	MARK
NV-DS29EG	A
NV-DS20EGM	B
NV-DS29B	C
NV-DS29EGE	D
NV-DS30EG	E
NV-DS30EGM	F
NV-DS30B	G
NV-DS30EGE	H
NV-DS30EN	I
NV-DS30ENT	J
NV-DS30ENC	K
NV-DS30A	L
NV-DS50EN	M
NV-DS50ENT	N
NV-DS50A	O
Not Used	PT



INTERCONNECTION SCHEMATIC DIAGRAM
NV-DS29EG/NV-DS29EGM/NV-DS29B/NV-DS29EGE/NV-DS30EG/NV-DS30EGM/NV-DS30B/NV-DS30EGE/
NV-DS30EN/NV-DS30ENT/NV-DS30ENC/NV-DS30A/NV-DS50EN/NV-DS50ENT/NV-DS50A

